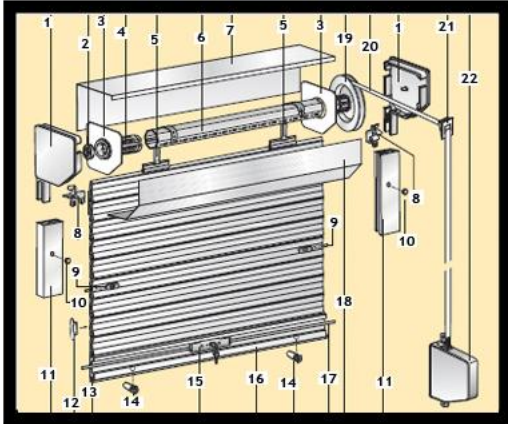
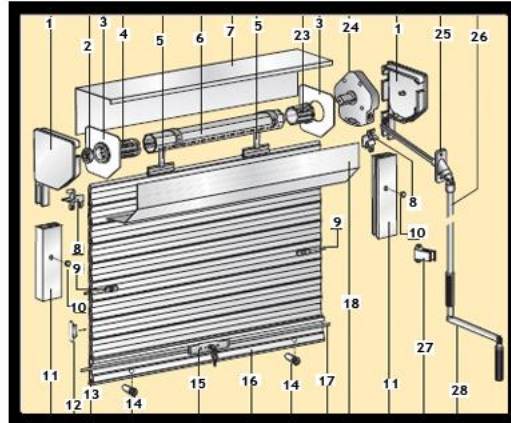




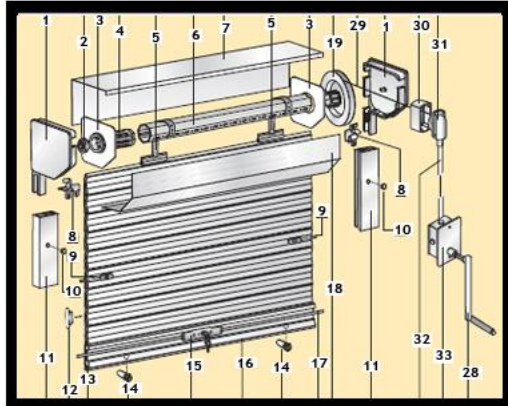
## STRAP CONTROL



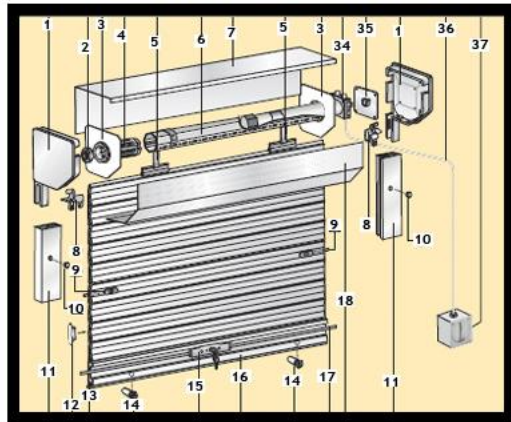
## HANDLE CONTROL



## ROPE CONTROL



## ELECTRIC CONTROL



1. SIDE CAP
2. BALL BEARING
3. SAFETY PLATE
4. CAP
5. SPRING
6. ROLL
7. BOX
8. ENTRY GUIDE
9. INTERMEDIATE LATCH

10. HOLE COVERING PLUG
11. GUIDE
12. LATERAL PLUG
13. GASKET
14. PLASTIC STOPPER
15. LOCK
16. EXTRUDED END SLAT
17. LOCK PLATE

18. BOX
19. PULLEY
20. STRAP
21. STRAP GUIDE FOR SIDE CAPS
22. COILER
23. CAP
24. GEAR
25. JOINT
26. ROD TUBE
27. HANDLE STOPPER
28. HANDLE
29. ROPE
30. SPACE FOR ROPE GUIDE
31. OUTSIDE ROPE GUIDE
32. COVERING ROPE TUBE
33. H. GEAR
34. MOTOR
35. MOTOR SUPPORT PLATE
36. SUPPLYING WIRE
37. SWITCH



## PALM DOOR SYSTEM

T77



- 5.5 kg. per sq. meter
- 12 Slats for 1 meter height

## ROLL FORMED PROFILES FOR SHUTTERS WITH POLYURETHANE FOAM

**T56**  
FOAM DENSITY  
300 Kg./m<sup>3</sup>



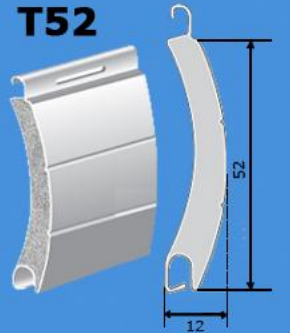
- 6.5 kg. per sq. meter
- 18 Slats for 1 meter height

**TS55**



- 9.5 kg. per sq. meter
- 18 Slats for 1 meter height

**T52**



- 3.5 kg. per sq. meter
- 19 Slats for 1 meter height

**T55**



- 3.6 kg. per sq. meter
- 18 Slats for 1 meter height

**T45**



- 3.5 kg. per sq. meter
- 21 Slats for 1 meter height

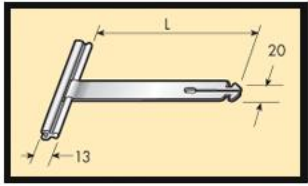
**T39**



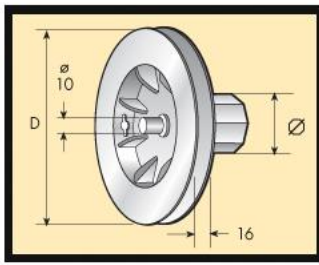
- 2.7 kg. per sq. meter
- 25 Slats for 1 meter height



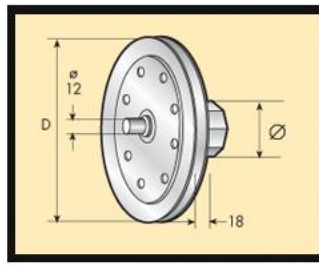
# ACCESSORIES



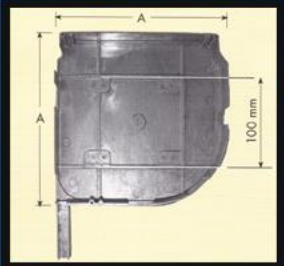
■ STAINLESS STEEL SECURITY SPRING



■ PLASTIC MINI-PULLEY WITH INSIDE STEEL PIVOT



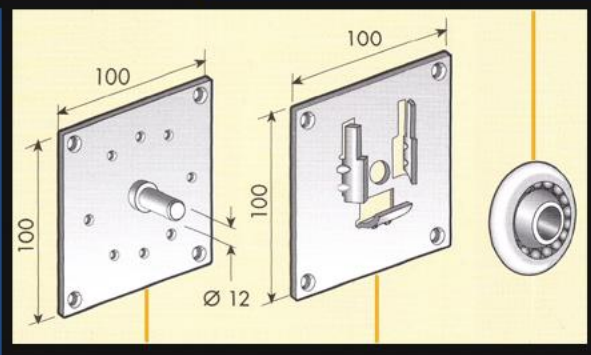
■ GALVANIZED STEEL ROPE PULLEY WITH PIVOT



■ ROUND ALUMINIUM SIDE CAP WITH SEAT FOR PLATE 100X100

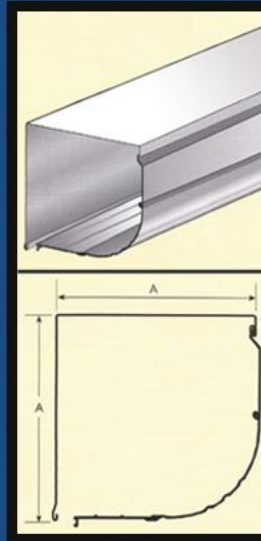
■ BALL BEARING

- A=165-180-205-250 mm
- LATERAL BOX PROFILE
- BOTTOM BOX PROFILE
- ROUND BOX PROFILE

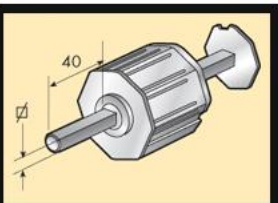


■ PALET WITH PIVOT

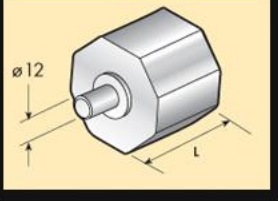
■ PALET WITH BEARING CASE



■ ADJUSTABLE CAP FOR ART WITH SQUARE PIVOT



■ ALUMINIUM CAP

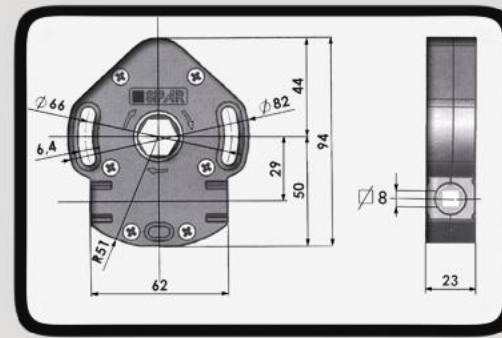


D (mm)	S (mm)
40	0.5
40	0.6
40	0.8
60	0.5
60	0.6
60	0.8
70	1.2

■ OCTAGONAL GALVANIZED STEEL SHAFT

MADE IN ITALY

www.pds.ae



ARGO MAX



## ■ TECHNICAL DATA FOR ARGO MAX

It is produced in the following ratio reduction:

- Ratio 1:6 for rolling shutters till 20 Kg.
- Ratio 1:8 for rolling shutters till 25 Kg.
- Ratio 1:11 for rolling shutters till 35 Kg.
- Ratio 1:18 for rolling shutters till 40 Kg.
- It is available for joints with  $\nabla$  8mm and  $\nabla$  7mm



■ ALUMINIUM BOX PROFILE